

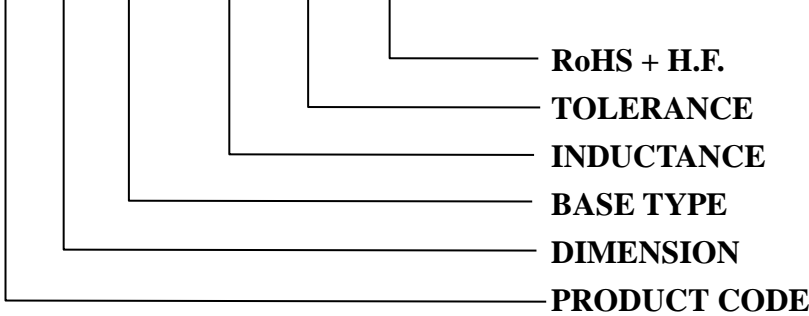
SPECIFICATION FOR APPROVAL

※This is a RoHS and REACH compliant product whose related documents are available on request.

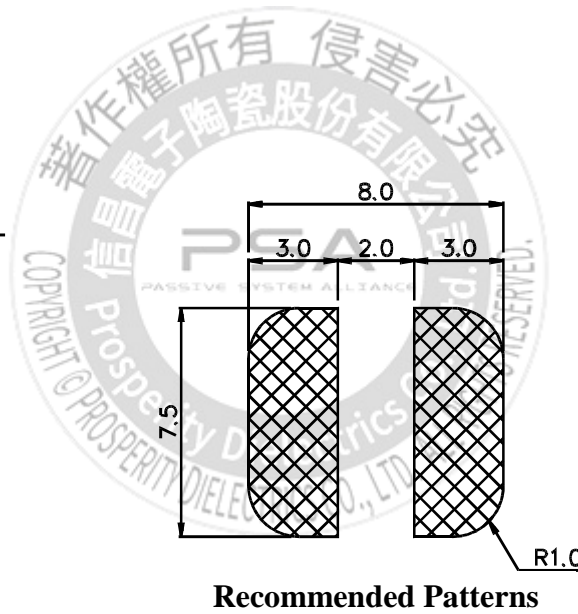
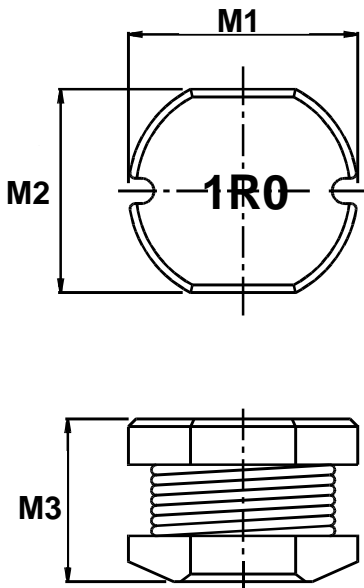
※Graphic is only for dimensionally application.

1. PART NUMBER IDENTIFICATION

CSN 073 **D** - - **LRH**



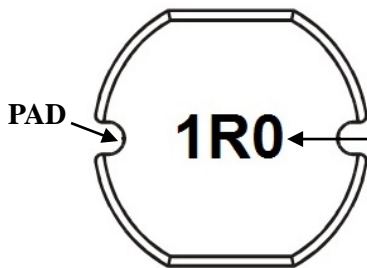
2. MECHANICAL DIMENSION



UNIT: mm

	DIM.	TOL.
M1	7.8	±0.3
M2	7.0	±0.3
M3	3.5	±0.5

3. MARKING



Marking Direction: PAD is on the left and right, the font is facing left and centered.

Example: 1R0 Stands for Marking → 1.0μH

SPECIFICATION FOR APPROVAL

4. ELECTRICAL SPECIFICATION

Part number	Marking	Inductance (uH)	Test Frequency (KHz)	DC Resistance (Ω) MAX.	Rated Current (A)
CSN073D-1R5M-LRH	1R5	1.5	100	0.0113	5.1
CSN073D-100M-LRH	100	10	100	0.0803	1.44
CSN073D-120M-LRH	120	12	100	0.0897	1.39
CSN073D-150M-LRH	150	15	100	0.104	1.24
CSN073D-180M-LRH	180	18	100	0.111	1.12
CSN073D-220M-LRH	220	22	100	0.129	1.07
CSN073D-270M-LRH	270	27	100	0.153	0.94
CSN073D-330M-LRH	330	33	100	0.170	0.85
CSN073D-390M-LRH	390	39	100	0.217	0.74
CSN073D-470M-LRH	470	47	100	0.252	0.68
CSN073D-560K-LRH	560	56	100	0.282	0.64
CSN073D-680K-LRH	680	68	100	0.332	0.59
CSN073D-820K-LRH	820	82	100	0.406	0.54
CSN073D-101K-LRH	101	100	10	0.481	0.51
CSN073D-121K-LRH	121	120	10	0.536	0.49
CSN073D-151K-LRH	151	150	10	0.755	0.40
CSN073D-181K-LRH	181	180	10	1.022	0.36
CSN073D-221K-LRH	221	220	10	1.200	0.31
CSN073D-271K-LRH	271	270	10	1.306	0.29
CSN073D-331K-LRH	331	330	10	1.495	0.28

NOTE:

1. Tolerance: M: $\pm 20\%$, K: $\pm 10\%$
2. Operating temperature range: -25°C to $+125^{\circ}\text{C}$.
3. Storage temperature range: -25°C to $+85^{\circ}\text{C}$.
4. Inductance measured using the HP4284A LCR meter, CHROMA1320 & 3302.
5. DCR measured using the 16505 milli-ohm meter.
6. Inductance drops no more than 10 % of initial value at Isat, temperature rises $\Delta t < 40^{\circ}\text{C}$ rated current.
7. MSL: Level 1