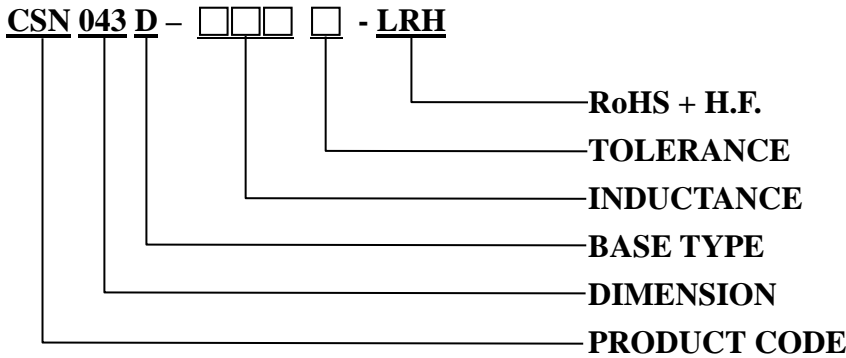


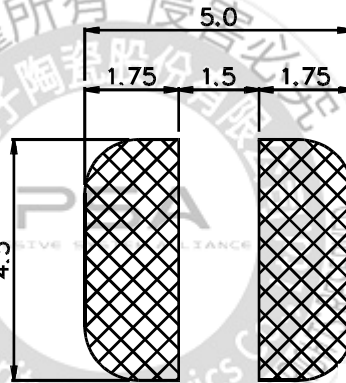
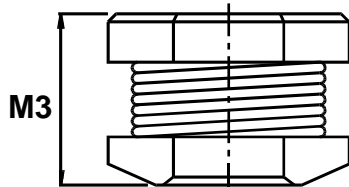
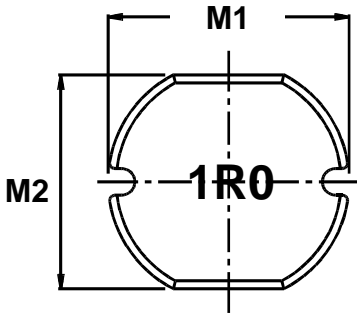
SPECIFICATION FOR APPROVAL

※This is a RoHS and REACH compliant product whose related documents are available on request.
 ※Graphic is only for dimensionally application.

1. PART NUMBER IDENTIFICATION



2. MECHANICAL DIMENSION

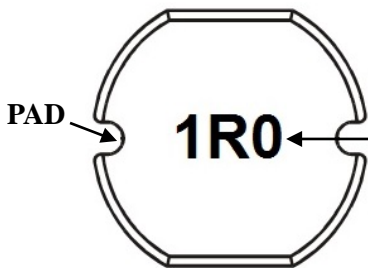


Recommended Patterns

UNIT: mm

	DIM.	TOL.
M1	4.5	±0.3
M2	4.0	±0.3
M3	3.2	±0.3

3. MARKING



Marking Direction: PAD is on the left and right, the font is facing left and centered.

Example: 1R0 Stands for Marking → 1.0μH

SPECIFICATION FOR APPROVAL

4. ELECTRICAL SPECIFICATION

Part number	Marking	Inductance (uH)	Test Frequency (KHz)	DC Resistance (Ω) MAX.	Rated Current (A)
CSN043D-1R0M-LRH	1R0	1.0	100	0.0487	2.56
CSN043D-1R4M-LRH	1R4	1.4	100	0.0562	2.52
CSN043D-1R8M-LRH	1R8	1.8	100	0.0637	1.95
CSN043D-2R2M-LRH	2R2	2.2	100	0.0712	1.75
CSN043D-2R7M-LRH	2R7	2.7	100	0.0787	1.58
CSN043D-3R3M-LRH	3R3	3.3	100	0.0862	1.44
CSN043D-3R9M-LRH	3R9	3.9	100	0.0937	1.33
CSN043D-4R7M-LRH	4R7	4.7	100	0.1087	1.15
CSN043D-5R6M-LRH	5R6	5.6	100	0.1257	0.99
CSN043D-6R8M-LRH	6R8	6.8	100	0.1312	0.95
CSN043D-8R2M-LRH	8R2	8.2	100	0.1462	0.84
CSN043D-100M-LRH	100	10	100	0.182	1.04
CSN043D-120M-LRH	120	12	100	0.210	0.97
CSN043D-150M-LRH	150	15	100	0.235	0.85
CSN043D-180M-LRH	180	18	100	0.338	0.74
CSN043D-220M-LRH	220	22	100	0.378	0.68
CSN043D-270M-LRH	270	27	100	0.522	0.62
CSN043D-330K-LRH	330	33	100	0.540	0.56
CSN043D-390K-LRH	390	39	100	0.587	0.52
CSN043D-470K-LRH	470	47	100	0.844	0.44
CSN043D-560K-LRH	560	56	100	0.937	0.42
CSN043D-680K-LRH	680	68	100	1.117	0.37
CSN043D-331K-LRH	331	330	10	3.35	0.1
CSN043D-101K-LRH	101	100	100	12	0.40
CSN043D-102□-LRH	102	1000	10	13	0.109

NOTE:

1. Tolerance : M:±20%, K:±10%
2. Operating temperature range: -25°C to +125°C.
3. Storage temperature range: -25°C to +85°C.
4. Inductance measured using the HP4284A LCR meter, CHROMA1320 & 3302.
5. DCR measured using the 16502 milli-ohm meter.
6. Inductance drops no more than 10% of initial value at rated current, temperature rises $\Delta t < 40^{\circ}\text{C}$
- 7 MSL: Level 1