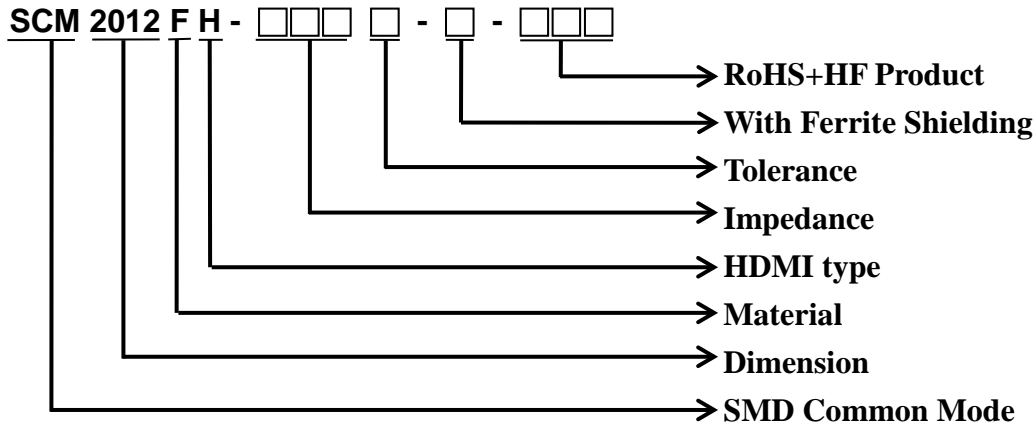


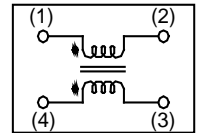
# SPECIFICATION FOR APPROVAL

※This is a RoHS and REACH compliant product whose related documents are available on request.  
 ※Graphic is only for dimensionally application.

## 1. PART NUMBER IDENTIFICATION



## 2. MECHANICAL DIMENSION



SERIES	M1	M2	M3	M4
SCM2012FH-XXXM-I-LRH	2.0±0.2	1.20±0.2	1.20±0.2	0.40(TYP.)

## 3. RATING TEMPERATURE

**OPERATING TEMPERATURE RANGE: -25°C TO +125°C**

**STORAGE TEMPERATURE RANGE: COMPONENT: -25°C TO +85°C.**

# SPECIFICATION FOR APPROVAL

## 4. ELECTRICAL SPECIFICATION

Part number	Z (OHM) @100MHz ±20 %	DC Resistance (OHM) MAX.	Rate Current (mA)	Rated Voltage Vdc(V)	Cut-off Frequency (GHz) typ.	Insulation Resistance (MΩ)MIN.
SCM2012FH-670M-I-LRH	67	0.25	400	50	6GHz	10
SCM2012FH-900M-I-LRH	90	0.30	370	50	6GHz	10
SCM2012FH-121M-I-LRH	120	0.35	330	50	6GHz	10

※MSL:LEVEL 1

