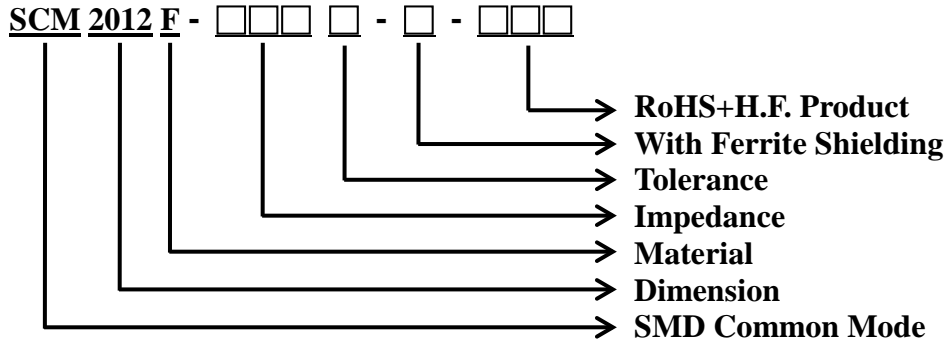


# SPECIFICATION FOR APPROVAL

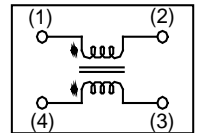
- ※This is a RoHS and REACH compliant product whose related documents are available on request.
- ※Graphic is only for dimensionally application.

## 1. SCOPE: THIS SPECIFICATION APPLIES TO WIRE WOUND CHIP INDUCTORS.

## 2. PART NUMBER IDENTIFICATION



## 3. MECHANICAL DIMENSION



SERIES	M1	M2	M3	M4
SCM2012F-XXXM-I-LRH	2.0±0.2	1.20±0.2	1.20±0.2	0.40(TYP.)

## 4. RATING TEMPERATURE

- OPERATING TEMPERATURE RANGE: -25°C TO +125°C.
- STORAGE TEMPERATURE RANGE: COMPONENT: -25°C TO +85°C.

# SPECITICATION FOR APPROVAL

## 5. ELECTRICAL SPECIFICATION

Part number	Z (OHM) @100MHz ±20 %	DC Resistance (OHM) MAX.	RATE CURRENT (mA)	Rated Voltage (Vdc)	Withstand Voltage (Vdc)	Insulation Resistance @125VDC (MOHM) min.
SCM2012F-670M-I-LRH	67	0.25	400	50	125	10
SCM2012F-750M-I-LRH	75	0.30	400			
SCM2012F-900M-I-LRH	90	0.35	330			
SCM2012F-101M-I-LRH	100	0.35	330			
SCM2012F-121M-I-LRH	120	0.30	370			
SCM2012F-161M-I-LRH	160	0.35	350			
SCM2012F-181M-I-LRH	180	0.35	330			
SCM2012F-201M-I-LRH	200	0.40	300			
SCM2012F-221M-I-LRH	220	0.40	300			
SCM2012F-261M-I-LRH	260	0.40	300			
SCM2012F-361M-I-LRH	360	0.50	300			
SCM2012F-371M-I-LRH	370	0.45	280			
SCM2012F-431M-I-LRH	430	0.55	280			
SCM2012F-601M-I-LRH	600	0.60	240			
SCM2012F-751M-I-LRH	750	0.90	220			

