

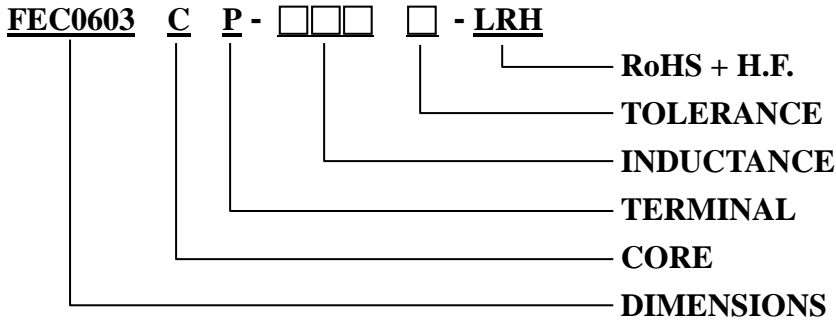
# SPECIFICATION FOR APPROVAL

※This is a RoHS and REACH compliant product whose related documents are available on request.

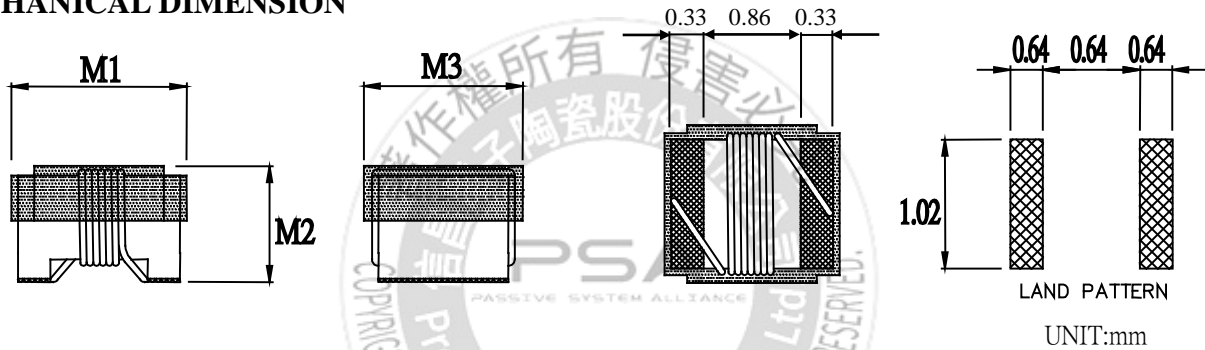
※Graphic is only for dimensionally application.

## 1. SCOPE: THIS SPECIFICATION APPLIES TO WIRE WOUND CHIP INDUCTORS.

## 2. PART NUMBER IDENTIFICATION



## 3. MECHANICAL DIMENSION



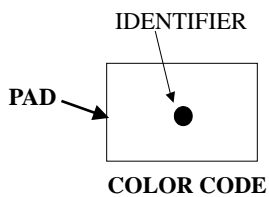
SERIES	M1	M2	M3
FEC0603CP	1.8(MAX)	1.02(MAX)	1.12(MAX)

## 4. RATING TEMPERATURE

OPERATING TEMPERATURE RANGE : -25°C TO +125°C.

STORAGE TEMPERATURE RANGE: COMPONENT: -25°C TO +85°C.

## 5. MARKING



**Marking Direction: PAD is on the left and right, the color code is centered.**

**Example: FEC0603CP-1N8□-LRH**

**MARKING: BROWN**

**MARK COLOR CODE IN COMPOSITE ELECTRICAL SPECIFICATION**

# SPECIFICATION FOR APPROVAL

## 6. ELECTRICAL SPECIFICATION

Part number	Inductance (nH)	Inductance Tolerance	Q MIN.	Test Frequency (MHz)	SRF (MHz) MIN.	DC Resistance (Ω) MAX.	Irms (mA)	COLOR CODE
FEC0603CP-1N6□-LRH	1.6	K,J	24	250	12500	0.030	700	BLACK
FEC0603CP-1N8□-LRH	1.8	K,J	16	250	12500	0.045	700	BROWN
FEC0603CP-2N1□-LRH	2.1	K,J	20	250	5800	0.050	700	RED
FEC0603CP-2N2□-LRH	2.2	K,J	20	250	5800	0.100	700	ORANGE
FEC0603CP-3N3□-LRH	3.3	K,J	20	250	5500	0.070	700	VIOLET
FEC0603CP-3N6□-LRH	3.6	K,J	22	250	5900	0.063	700	RED
FEC0603CP-3N9□-LRH	3.9	K,J	22	250	6900	0.080	700	ORANGE
FEC0603CP-4N3□-LRH	4.3	K,J	22	250	5900	0.063	700	YELLOW
FEC0603CP-4N7□-LRH	4.7	K,J	20	250	5800	0.116	700	GREEN
FEC0603CP-5N1□-LRH	5.1	K,J	20	250	5700	0.140	700	BLUE
FEC0603CP-5N6□-LRH	5.6	K,J	15	250	5800	0.150	700	GRAY
FEC0603CP-6N1□-LRH	6.1	K,J	25	250	5800	0.110	700	WHITE
FEC0603CP-6N3□-LRH	6.3	J,G	25	250	5800	0.110	700	GRAY
FEC0603CP-6N8□-LRH	6.8	K,J,G	27	250	5800	0.110	700	VIOLET
FEC0603CP-7N2□-LRH	7.2	K,J,G	28	250	4800	0.106	700	BLACK
FEC0603CP-7N5□-LRH	7.5	K,J,G	28	250	4800	0.106	700	GRAY
FEC0603CP-8N2□-LRH	8.2	K,J,G	25	250	5800	0.120	700	BLACK
FEC0603CP-8N4□-LRH	8.4	K,J,G	28	250	4600	0.109	700	RED
FEC0603CP-8N5□-LRH	8.5	K,J,G	28	250	4600	0.109	700	RED
FEC0603CP-8N7□-LRH	8.7	J,G	28	250	4600	0.109	700	WHITE
FEC0603CP-9N5□-LRH	9.5	J,G	28	250	5400	0.135	700	BLACK
FEC0603CP-10N□-LRH	10	J,G	31	250	4800	0.130	700	BROWN
FEC0603CP-11N□-LRH	11	J,G	33	250	4000	0.086	700	RED
FEC0603CP-12N□-LRH	12	J,G	35	250	4000	0.130	700	ORANGE
FEC0603CP-13N□-LRH	13	J,G	35	250	4000	0.15	700	YELLOW
FEC0603CP-14N□-LRH	14	J,G	35	250	4000	0.170	700	BROWN
FEC0603CP-15N□-LRH	15	J,G	35	250	4000	0.170	700	YELLOW
FEC0603CP-16N□-LRH	16	J,G	34	250	3300	0.104	700	GREEN
FEC0603CP-18N□-LRH	18	J,G	35	250	3100	0.170	700	BLUE
FEC0603CP-20N□-LRH	20	J,G	40	250	3000	0.190	700	GREEN
FEC0603CP-22N□-LRH	22	J,G	38	250	3000	0.190	700	VIOLET
FEC0603CP-24N□-LRH	24	J,G	37	250	2650	0.135	700	GRAY
FEC0603CP-27N□-LRH	27	J,G	40	250	2800	0.220	600	WHITE
FEC0603CP-30N□-LRH	30	J,G	37	250	2250	0.220	600	BLACK
FEC0603CP-33N□-LRH	33	J,G	40	250	2300	0.220	600	BROWN
FEC0603CP-36N□-LRH	36	J,G	38	250	2080	0.250	600	RED
FEC0603CP-39N□-LRH	39	J,G	40	250	2200	0.250	600	ORANGE
FEC0603CP-43N□-LRH	43	J,G	39	250	2000	0.280	600	YELLOW
FEC0603CP-47N□-LRH	47	J,G	38	200	2000	0.280	600	GREEN
FEC0603CP-51N□-LRH	51	J,G	35	200	1900	0.270	600	BROWN
FEC0603CP-56N□-LRH	56	J,G	38	200	1900	0.310	600	BLUE
FEC0603CP-62N□-LRH	62	J,G	37	200	1800	0.340	600	GRAY
FEC0603CP-68N□-LRH	68	J,G	37	200	1700	0.340	600	VIOLET

**NOTE:**

1. □Tolerance: K:±10%、J:±5%、G:±2%
2. MSL: Level 1

# SPECIFICATION FOR APPROVAL

Part number	Inductance (nH)	Inductance Tolerance	Q MIN.	Test Frequency (MHz)	SRF (MHz) MIN.	DC Resistance (Ω) MAX.	Irms (mA)	COLOR CODE
FEC0603CP-72N□-LRH	72	J,G	34	150	1700	0.490	400	GRAY
FEC0603CP-75N□-LRH	75	J,G	34	150	1700	0.52	400	BLUE
FEC0603CP-82N□-LRH	82	J,G	34	150	1700	0.540	400	WHITE
FEC0603CP-91N□-LRH	91	J,G	30	150	1700	0.500	400	BLUE
FEC0603CP-R10□-LRH	100	J,G	34	150	1400	0.580	400	BLACK
FEC0603CP-R11□-LRH	110	J,G	32	150	1350	0.610	300	BROWN
FEC0603CP-R12□-LRH	120	J,G	32	150	1300	0.650	300	RED
FEC0603CP-R13□-LRH	130	J,G	30	150	1400	0.720	300	WHITE
FEC0603CP-R15□-LRH	150	J,G	28	150	990	0.920	280	ORANGE
FEC0603CP-R16□-LRH	160	J,G	25	100	1300	1.400	280	BROWN
FEC0603CP-R18□-LRH	180	J,G	25	100	990	1.250	240	YELLOW
FEC0603CP-R20□-LRH	200	J,G	25	100	990	1.980	200	RED
FEC0603CP-R22□-LRH	220	J,G	25	100	900	1.900	200	GREEN
FEC0603CP-R26□-LRH	260	J,G	25	100	1000	2.000	200	VIOLET
FEC0603CP-R27□-LRH	270	J,G	24	100	900	2.300	170	BLUE
FEC0603CP-R33□-LRH	330	J,G	24	100	900	3.90	185	VIOLET
FEC0603CP-R39□-LRH	390	J,G	25	100	900	4.35	100	GRAY
FEC0603CP-R43□-LRH	430	J,G	25	100	800	4.50	100	GREEN
FEC0603CP-R47□-LRH	470	J,G	25	100	600	3.600	80	WHITE

**NOTE:**

1. □Tolerance: K:±10%、J:±5%、G:±2%
2. MSL: Level 1

