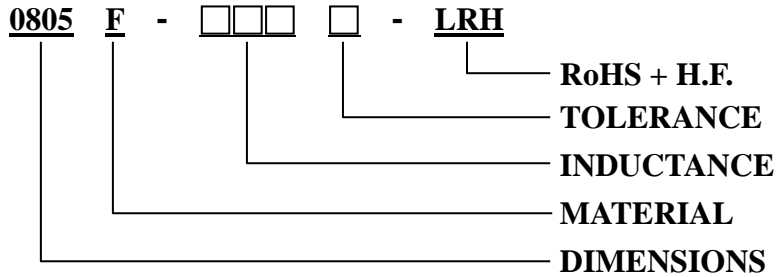


# SPECIFICATION FOR APPROVAL

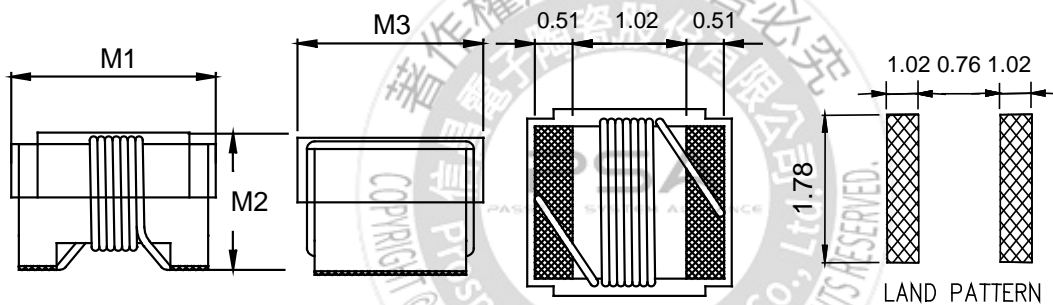
- ※This is a RoHS and REACH compliant product whose related documents are available on request.
- ※Graphic is only for dimensionally application.

## 1. SCOPE: THIS SPECIFICATION APPLIES TO WIRE WOUND CHIP INDUCTORS.

## 2. PART NUMBER IDENTIFICATION



## 3. MECHANICAL DIMENSION

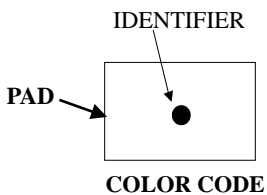


M1	M2	M3
2.29(MAX)	1.60(MAX)	1.91(MAX)

## 4. RATING TEMPERATURE

- OPERATING TEMPERATURE RANGE: -25°C TO +125°C.**
- STORAGE TEMPERATURE RANGE: COMPONENT: -25°C TO +85°C.**
- MOISTURE SENSITIVITY LEVEL: LEVEL 1.**

## 5. MARKING



- Marking Direction: PAD is on the left and right, the color code is centered.**
- Example: 0805F-2R7□-LFR**
- MARKING: GRAY**
- MARK COLOR CODE IN COMPOSITE ELECTRICAL SPECIFICATION**

# SPECIFICATION FOR APPROVAL

## 6. ELECTRICAL SPECIFICATION

Part number	Inductance ( $\mu$ H)	Test Frequency (MHz)	Inductance Tolerance	Q MIN.	SRF (MHz) MIN.	DC Resistance ( $\Omega$ ) MAX.	Irms (A)	COLOR CODE
0805F-78N□-LRH	0.078	7.9	K,J	19	1440	0.042	2.0	BLACK
0805F-R11□-LRH	0.110	7.9	K,J	19	1400	0.05	2.0	BROWN
0805F-R18□-LRH	0.180	7.9	K,J	15	1000	0.15	0.500	GARY
0805F-R22□-LRH	0.220	7.9	K,J	15	1000	0.15	0.500	VIOLET
0805F-R33□-LRH	0.330	7.9	K,J	15	862	0.25	0.300	WHITE
0805F-R39□-LRH	0.390	7.9	K,J	15	800	0.30	0.500	BLACK
0805F-R47□-LRH	0.470	7.9	K,J	19	500	0.31	0.720	RED
0805F-R56□-LRH	0.560	7.9	K,J	12	600	1.20	0.300	RED
0805F-R68□-LRH	0.680	7.9	K,J	20	400	0.46	0.590	ORANGE
0805F-R82□-LRH	0.820	7.9	K,J	12	600	1.00	0.300	YELLOW
0805F-1R0□-LRH	1.0	7.9	K,J	20	340	0.69	0.500	YELLOW
0805F-1R2□-LRH	1.2	7.9	K,J	20	400	0.75	0.800	BLACK
0805F-1R5□-LRH	1.5	7.9	K,J	20	275	0.83	0.490	GREEN
0805F-1R8□-LRH	1.8	7.9	K,J	20	246	1.15	0.410	BLUE
0805F-2R2□-LRH	2.2	7.9	K,J	20	106	1.28	0.365	VIOLET
0805F-2R7□-LRH	2.7	7.9	K,J	20	105	1.48	0.350	GRAY
0805F-3R3□-LRH	3.3	7.9	K,J	20	83	1.57	0.330	WHITE
0805F-3R9□-LRH	3.9	7.9	K,J	20	52	1.70	0.300	BLACK
0805F-4R7□-LRH	4.7	7.9	K,J	20	50	1.87	0.280	BROWN
0805F-5R6□-LRH	5.6	7.9	K,J	18	40	2.00	0.270	BLUE
0805F-6R8□-LRH	6.8	7.9	K,J	20	35	2.25	0.260	RED
0805F-8R2□-LRH	8.2	2.5	K,J	18	27	2.55	0.250	ORANGE
0805F-100□-LRH	10	2.5	K,J	18	21	3.45	0.200	YELLOW
0805F-120□-LRH	12	2.5	K,J	18	37	3.80	0.220	BROWN
0805F-150□-LRH	15	2.5	K,J	18	17	5.03	0.180	GREEN
0805F-180□-LRH	18	2.5	K,J	18	23	4.48	0.180	ORANGE
0805F-220□-LRH	22	2.5	K,J	18	13	6.18	0.150	BLUE
0805F-270□-LRH	27	2.5	K,J	15	11	11.04	0.120	VIOLET

NOTE:

□ Tolerance: K:±10%、J:±5%