

DATA SHEET

PRODUCT	SMD NTC Thermistor															
SERIES	JSN Series															
PART NO.																
QUICK REFERENCE DATA	<table border="1"><thead><tr><th>PARAMETER</th><th>VALUE</th><th>UNIT</th></tr></thead><tbody><tr><td>Size</td><td>0201(0603)~0805(2012)</td><td>Inch(mm)</td></tr><tr><td>Resistance Value R25</td><td>10~ 220</td><td>KΩ</td></tr><tr><td>B25/50</td><td>3380~4250</td><td>K</td></tr><tr><td>B25/85</td><td>3435~4360</td><td>K</td></tr></tbody></table>	PARAMETER	VALUE	UNIT	Size	0201(0603)~0805(2012)	Inch(mm)	Resistance Value R25	10~ 220	KΩ	B25/50	3380~4250	K	B25/85	3435~4360	K
	PARAMETER	VALUE	UNIT													
	Size	0201(0603)~0805(2012)	Inch(mm)													
	Resistance Value R25	10~ 220	KΩ													
	B25/50	3380~4250	K													
B25/85	3435~4360	K														
ISSUE DATE	2023/3/23															
REVISION DATE	2023/3/23															
REFERENCE NO.																
RoHS COMPLIANCE ITEM																
Halogen Free																

Disclaimer:

- This datasheet is downloaded from the Website of Joyin Co., Ltd, and Joyin Co., Ltd. reserves all rights for modification content without further notification.
- All product, specification and data are subject to change without notice.
- Joyin Co., Ltd, its affiliates, agents, employees, and all persons acting on its or their behalf, hereby disclaim any and all liability for any errors, inaccuracies or incompleteness contained in any product related information, including but not limited to product specifications, datasheets, pictures and/or graphics.
- Joyin Co., Ltd makes no warranty, representation or guarantee regarding the suitability of the products for any particular purpose or the continuing production of any product. It is the customer's responsibility to validate that a particular product is suitable for use in a particular application.
- To the maximum extent permitted by applicable law, Joyin Co., Ltd disclaims (i) any and all liability arising out of the application or use of any product, (ii) any and all liability, including without limitation special, consequential or incidental damages, and (iii) any and all implied warranties, including warranties of fitness for particular purpose, non-infringement and merchantability.
- If you have any questions, please contact our sales staff.

SMD NTC Thermistor JSN series



Features

1. RoHS / Halogen-Free (HF) compliant
2. Highly reliable structure
3. Operating temperature range: $-40^{\circ}\text{C} \sim +125^{\circ}\text{C}$
4. Agency recognition: UL / TUV

Applications

1. IT equipment
2. Mobile devices
3. Battery packs
4. Office automation equipment
5. Automotive

How to order

Part Number Code															
1	2	3	4	5	6	7	8	9	10	11	12	13	14	15	16
J	S	N	A	1	0	3	F	3	4	4	F	B	B	X	G
①			②	③			④	⑤			⑥	⑦	⑧		

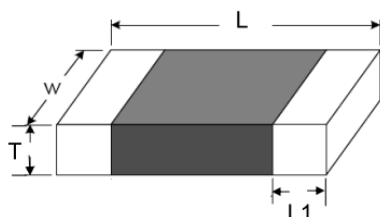
①	Product Type	JSN series	⑤	B Value	344 = 3435 K 405 = 4050 K
②	Size	Z = 0201 (0603) A = 0402 (1005) B = 0603 (1608) C = 0805 (2012)	⑥	Tolerance of B Value	F = $\pm 1\%$ G = $\pm 2\%$ H = $\pm 3\%$ J = $\pm 5\%$
③	Zero Power Resistance @25°C (R25)	502 = 5K Ω 103 = 10K Ω 104 = 100K Ω	⑦	Definition of B Value	A = 25/50 B = 25/85 C = 25/100
④	Tolerance of R25	F = $\pm 1\%$ G = $\pm 2\%$ H = $\pm 3\%$ J = $\pm 5\%$ K = $\pm 10\%$	⑧	Optional Suffix	Internal Control Code

Safety Certification

Standard NO	UL / CUL	TUV
	UL1434	EN 60539-1:2016 EN 60539-2:2004 +A1
File NO	E171531	R 50267437

Structure and Dimension

Unit in mm



Size	L	W	T	L1
JSNZ(0201)	0.60 \pm 0.05	0.30 \pm 0.05	0.30 \pm 0.05	0.15 \pm 0.05
JSNA(0402)	1.00 \pm 0.15	0.50 \pm 0.15	0.50 \pm 0.15	0.25 \pm 0.10
JSNB(0603)	1.60 \pm 0.15	0.80 \pm 0.15	0.80 \pm 0.15	0.30 \pm 0.20
JSNC(0805)	2.00 \pm 0.20	1.25 \pm 0.20	0.85 \pm 0.20	0.50 \pm 0.30

SMD NTC Thermistor JSN series

Electrical Characteristics

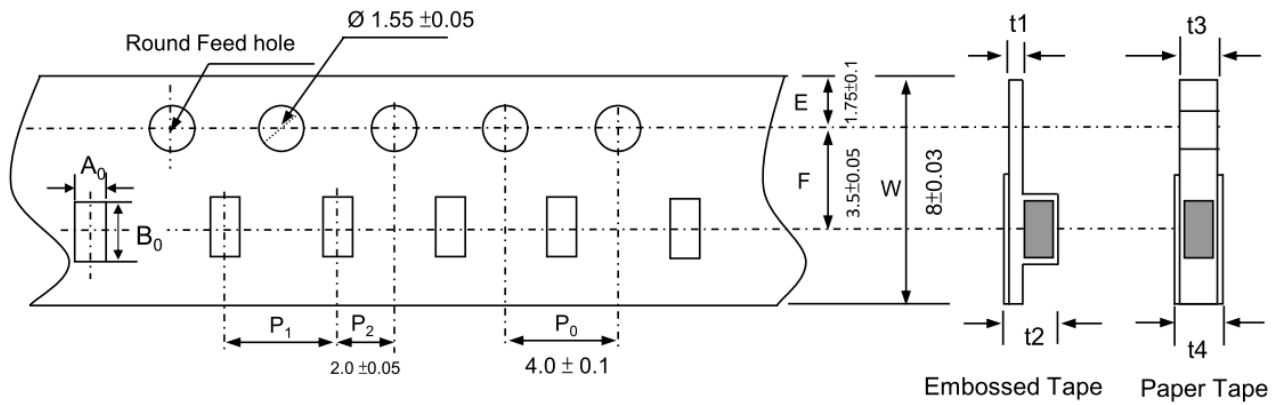
Part No.	Zero Power Resistance at 25°C	Tolerance of R25	B 25/50 Value	Tolerance of B Value	Dissipation Factor	Thermal Time Constant	Max. Power Rating at 25°C	Safety Approvals
	R 25 (Ω)	(± %)	(K)	(± %)	δ(mW/°C)	τ(sec.)	(mW)	
JSNZ103X338YA	10,000	10,5,3,2,1	3380	5,3,2,1	Approx. 1.0	Approx. 3.0	100	■ ■
JSNZ473X405YA	47,000	10,5,3,2,1	4050	5,3,2,1	Approx. 1.0	Approx. 3.0	100	■ ■
JSNZ104X425YA	100,000	10,5,3,2,1	4250	5,3,2,1	Approx. 1.0	Approx. 3.0	100	■ ■
JSNZ474X395YA	470,000	10,5,3,2,1	3950	5,3,2,1	Approx. 1.0	Approx. 3.0	100	■ ■
JSNA103X338YA	10,000	10,5,3,2,1	3380	5,3,2,1	Approx. 1.7	Approx. 3.0	170	■ ■
JSNA104X425YA	100,000	10,5,3,2,1	4250	5,3,2,1	Approx. 1.7	Approx. 3.0	170	■ ■
JSNB103X338YA	10,000	10,5,3,2,1	3380	5,3,2,1	Approx. 2.1	Approx. 3.1	210	■ ■
JSNB104X420YA	100,000	10,5,3,2,1	4200	5,3,2,1	Approx. 2.1	Approx. 3.1	210	■ ■
JSNB104X425YA	100,000	10,5,3,2,1	4250	5,3,2,1	Approx. 2.1	Approx. 3.1	210	■ ■
JSNC103X338YA	10,000	10,5,3,2,1	3380	5,3,2,1	Approx. 2.4	Approx. 3.0	240	■ ■
JSNC104X425YA	100,000	10,5,3,2,1	4250	5,3,2,1	Approx. 2.4	Approx. 3.0	240	■ ■

Part No.	Zero Power Resistance at 25°C	Tolerance of R25	B 25/85 Value	Tolerance of B Value	Dissipation Factor	Thermal Time Constant	Max. Power Rating at 25°C	Safety Approvals
	R 25 (Ω)	(± %)	(K)	(± %)	δ(mW/°C)	τ(sec.)	(mW)	
JSNZ103X344YB	10,000	10,5,3,2,1	3435	5,3,2,1	Approx. 1.0	Approx. 3.0	100	■ ■
JSNZ474X405YB	470,000	10,5,3,2,1	4050	5,3,2,1	Approx. 1.0	Approx. 3.0	100	■ ■
JSNA103X344YB	10,000	10,5,3,2,1	3435	5,3,2,1	Approx. 1.7	Approx. 3.0	170	■ ■
JSNA473X405YB	47,000	10,5,3,2,1	4050	5,3,2,1	Approx. 1.7	Approx. 3.0	170	■ ■
JSNA104X405YB	100,000	10,5,3,2,1	4050	5,3,2,1	Approx. 1.7	Approx. 3.0	170	■ ■
JSNA104X431YB	100,000	10,5,3,2,1	4310	5,3,2,1	Approx. 1.7	Approx. 3.0	170	■ ■
JSNB682X344YB	6,800	10,5,3,2,1	3435	5,3,2,1	Approx. 2.1	Approx. 3.1	210	■ ■
JSNB103X344YB	10,000	10,5,3,2,1	3435	5,3,2,1	Approx. 2.1	Approx. 3.1	210	■ ■
JSNB103X397YB	10,000	10,5,3,2,1	3970	5,3,2,1	Approx. 2.1	Approx. 3.1	210	■ ■
JSNB473X395YB	47,000	10,5,3,2,1	3950	5,3,2,1	Approx. 2.1	Approx. 3.1	210	■ ■
JSNB473X405YB	47,000	10,5,3,2,1	4050	5,3,2,1	Approx. 2.1	Approx. 3.1	210	■ ■
JSNB503X395YB	50,000	10,5,3,2,1	3950	5,3,2,1	Approx. 2.1	Approx. 3.1	210	■ ■
JSNB104X395YB	100,000	10,5,3,2,1	3950	5,3,2,1	Approx. 2.1	Approx. 3.1	210	■ ■
JSNB104X405YB	100,000	10,5,3,2,1	4050	5,3,2,1	Approx. 2.1	Approx. 3.1	210	■ ■
JSNB104X436YB	100,000	10,5,3,2,1	4360	5,3,2,1	Approx. 2.1	Approx. 3.1	210	■ ■
JSNB104X440YB	100,000	10,5,3,2,1	4400	5,3,2,1	Approx. 2.1	Approx. 3.1	210	■ ■
JSNB204X406YB	200,000	10,5,3,2,1	4055	5,3,2,1	Approx. 2.1	Approx. 3.1	210	■ ■
JSNC502X344YB	5,000	10,5,3,2,1	3435	5,3,2,1	Approx. 2.4	Approx. 7.5	240	■ ■
JSNC682X344YB	6,800	10,5,3,2,1	3435	5,3,2,1	Approx. 2.4	Approx. 7.5	240	■ ■
JSNC103X344YB	10,000	10,5,3,2,1	3435	5,3,2,1	Approx. 2.4	Approx. 7.5	240	■ ■
JSNC473X400YB	47,000	10,5,3,2,1	4000	5,3,2,1	Approx. 2.4	Approx. 7.5	240	■ ■
JSNC503X400YB	50,000	10,5,3,2,1	4000	5,3,2,1	Approx. 2.4	Approx. 7.5	240	■ ■
JSNC683X400YB	68,000	10,5,3,2,1	4000	5,3,2,1	Approx. 2.4	Approx. 7.5	240	■ ■
JSNC104X398YB	100,000	10,5,3,2,1	3980	5,3,2,1	Approx. 2.4	Approx. 7.5	240	■ ■
JSNC104X405YB	100,000	10,5,3,2,1	4050	5,3,2,1	Approx. 2.4	Approx. 7.5	240	■ ■
JSNC204X395YB	200,000	10,5,3,2,1	3950	5,3,2,1	Approx. 2.4	Approx. 7.5	240	■ ■

※ X : R Tolerance, Y : B Value Tolerance

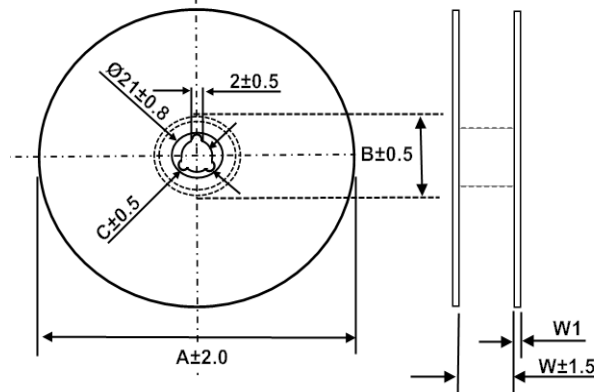
SMD NTC Thermistor JSN series

Packing



Dimension of Paper Tape

Size	$A_0 \pm 0.1$ (mm)	$B_0 \pm 0.1$ (mm)	$P_1 \pm 0.1$ (mm)	t_1 / t_2 (mm)	Quantity / Reel(Pcs)
JSNZ (0201)	0.38	0.68	2	$t_2 \leq 0.5$	15000
JSNA (0402)	0.65	1.15	4	1.0max / 1.1max	10000
JSNB (0603)	1.10	1.90	4	1.0max / 1.1max	4000
JSNC (0805)	1.50	2.35	4	1.0max / 1.1max	4000



Reel Specification

Unit in mm

Size	A	B	C	W	W_1
JSNZ (0201)	178	60	13	10	1.6
JSNA (0402)	178	60	13	10	1.6
JSNB (0603)	178	60	13	10	1.6
JSNC (0805)	178	60	13	10	1.6